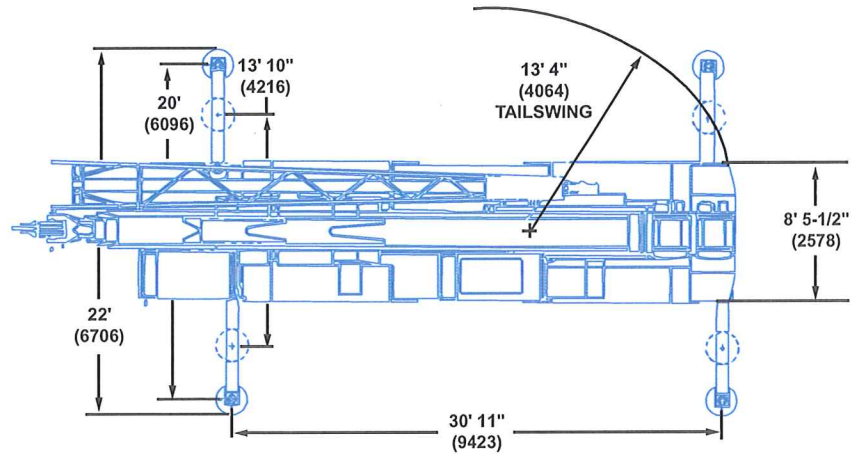
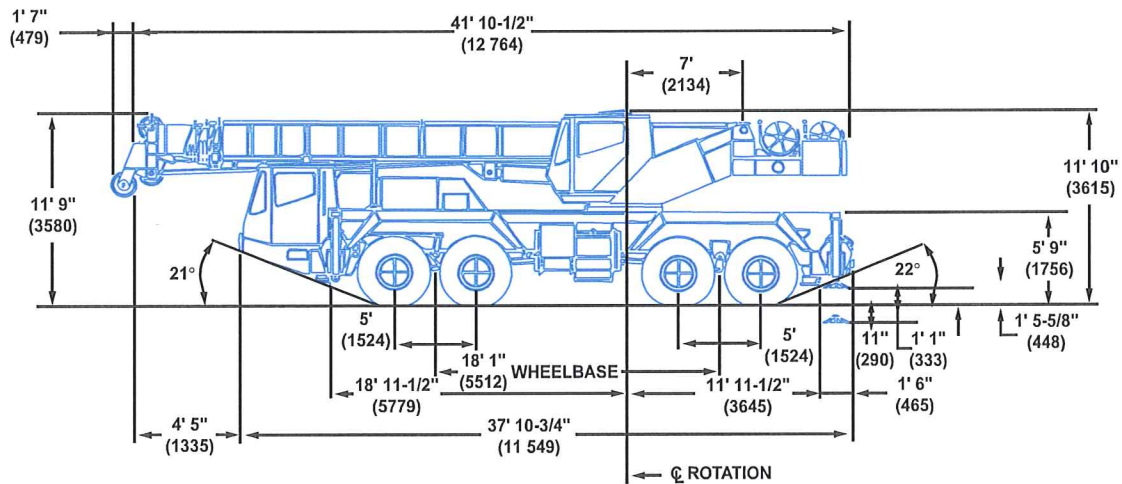


Dimensions



TURNING RADIUS w/16" Tires	
FRONT STEER	COORDINATED STEER
41' 8" (12 700)	24' 11" (7595)
TURNING RADIUS w/17.5" Tires & 445/80 Tires	
FRONT STEER	COORDINATED STEER
42' 9" (13 030)	25' 7" (7798)



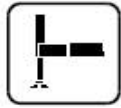
Working Range



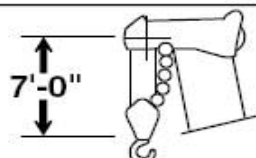
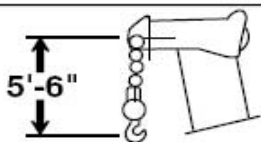
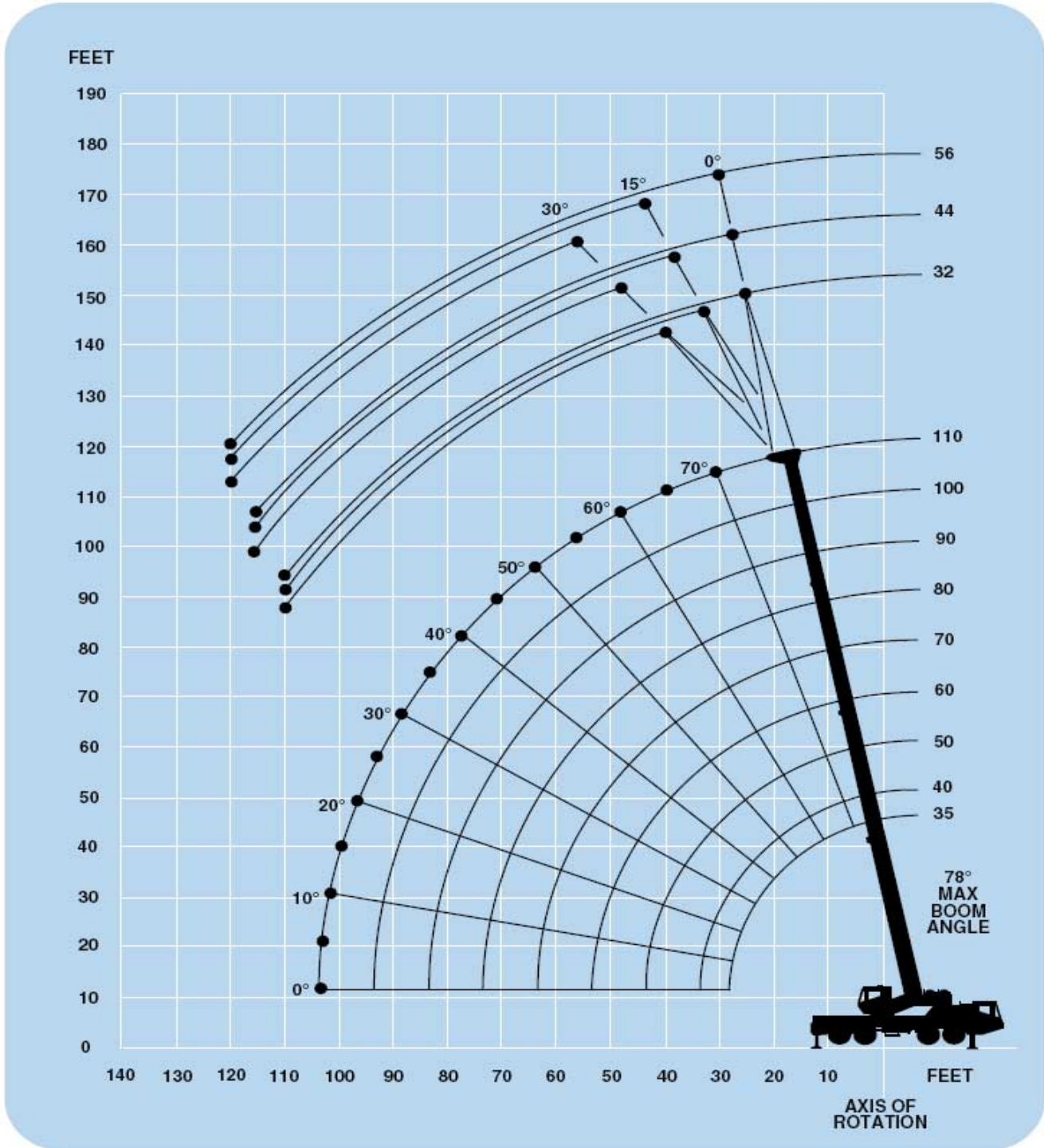
35-110 ft.
(10.6-33.5 m)



32-56 ft.
(9.8-17.1 m)



360°



DIMENSIONS ARE FOR LARGEST GROVE FURNISHED HOOK BLOCK AND HEADACHE BALL, WITH ANTI-TWO BLOCK ACTIVATED.



35 -110 ft.
(10.6-33.5 m)



6,850 lbs.
(3107 kg)



100%



360°



85% Domestic (Pounds)

(Feet)	35	40	50	*60	70	80	90	100	110
9	@ 100,000								
9	90,000								
10	80,000								
12	67,400	63,800	55,450	44,600					
15	56,500	54,500	48,050	42,250	35,600	33,000			
20	44,000	43,000	39,400	33,600	30,500	28,000	25,500	23,300	
25	<u>33,500</u>	33,000	32,400	27,750	25,200	23,800	22,000	20,400	18,500
30		<u>26,500</u>	<u>26,500</u>	23,350	21,100	20,400	19,300	17,550	15,750
35			<u>21,500</u>	<u>20,000</u>	18,050	17,400	16,400	15,200	13,650
40			16,650	<u>16,150</u>	15,650	15,050	14,150	13,300	12,000
45				12,700	<u>13,600</u>	13,200	12,350	11,550	10,600
50				10,100	<u>10,950</u>	<u>11,600</u>	10,850	10,100	9,500
55					8,840	9,520	<u>9,630</u>	8,950	8,470
60					7,140	7,820	8,410	7,950	7,500
65						6,430	7,040	<u>7,080</u>	6,670
70						5,270	5,900	<u>6,250</u>	5,940
75							4,930	5,270	<u>5,300</u>
80							4,100	4,420	4,700
85								3,700	3,970
90								3,060	3,330
95									2,760
100									2,260
Minimum boom angle (degrees) for indicated length (no load)									0
Maximum boom length (feet) at 0 degree boom angle (no load)									110

*60 ft. boom length is with inner-mid extended and outer-mid & fly retracted.

@Maximum lifting capacity of 100,000 lbs. over rear only within defined arc of 6° either side of centerline.

A6-829-009962



35 -110 ft.
(10.6-33.5 m)



6,850 lbs.
(3107 kg)



50%



360°



85% Domestic (Pounds)

(Feet)	35	40	50	*60	70	80	90	100	110
9	88,500								
10	80,000								
12	67,400	63,800	55,450	44,600					
15	<u>56,500</u>	<u>54,500</u>	<u>48,050</u>	<u>42,250</u>	35,600	33,000			
20	<u>37,000</u>	<u>35,700</u>	<u>33,150</u>	<u>31,150</u>	<u>30,500</u>	<u>28,000</u>	25,500	23,300	
25	24,650	24,150	23,150	22,050	22,200	22,150	<u>22,000</u>	<u>20,400</u>	18,500
30		16,500	16,050	15,600	16,700	16,850	<u>16,900</u>	<u>16,850</u>	<u>15,750</u>
35			11,750	11,400	12,600	13,150	13,300	13,350	13,350
40			8,850	8,460	9,490	10,100	10,500	10,800	10,850
45				6,280	7,180	7,820	8,280	8,710	8,900
50				4,610	5,410	6,040	6,550	6,950	7,250
55					4,000	4,640	5,140	5,550	5,840
60					2,860	3,490	3,970	4,410	4,700
65						2,550	3,000	3,440	3,740
70						1,750	2,190	2,620	2,920
75							1,500	1,920	2,220
80								1,320	1,620
85									1,090
Minimum boom angle (degrees) for indicated length (no load)									33.5
Maximum boom length (feet) at 0 degree boom angle (no load)									80
*60 ft. boom length is with inner-mid extended and outer-mid & fly retracted.									



35 -110 ft.
(10.6-33.5 m)



6850 lbs.
(3107 kg)



0%



360°



75% Domestic (Pounds)

(Feet)	35	40	50	*60	70	80	90	100	110
9	53,300								
10	46,200	43,750	39,800						
12	36,100	34,300	31,350	29,000					
15	25,100	24,200	23,100	21,400	21,300	21,000			
20	15,200	14,750	14,300	13,850	14,150	14,200	14,200	14,050	
25	10,000	9,810	9,370	9,050	9,630	9,880	10,150	10,200	10,150
30		6,730	6,300	5,970	6,530	6,810	7,430	7,550	7,610
35			4,220	3,880	4,420	4,730	5,300	5,610	5,720
40			2,720	2,370	2,900	3,220	3,680	4,060	4,280
45				1,050	1,750	2,080	2,450	2,830	3,070
50						1,190	1,490	1,860	2,110
55								1,090	1,340
Minimum boom angle (degrees) for indicated length (no load)									56
Maximum boom length (feet) at 0 degree boom angle (no load)									50
*60 ft. boom length is with inner-mid extended and outer-mid & fly retracted.									

A6-829-012171



35 -110 ft.
(10.6-33.5 m)



32 ft.
(9.8 m)



6,850 lbs.
(3107 kg)



100%



360°



85% Domestic (Pounds)

(Feet)	0°	15°	30°
30	9,880		
35	9,090	*7,880	
40	8,380	7,450	*6,180
45	7,720	7,140	6,070
50	7,120	6,850	5,820
55	6,570	6,590	5,590
60	5,880	6,350	5,390
65	5,230	5,660	5,200
70	4,650	5,050	5,030
75	4,120	4,490	4,800
80	3,640	3,980	4,260
85	3,190	3,500	3,760
90	2,790	3,070	3,300
95	2,410	2,670	2,870
100	2,070	2,300	2,480
105	1,750	1,960	2,110
110	1,450	1,630	1,760

*This capacity is based upon the maximum boom angle.

A6-829-009600E



35 -110 ft.
(10.6-33.5 m)



32-56 ft.
(9.8-17.1 m)



6,850 lbs.
(3107 kg)



100%



360°



85% Domestic (Pounds)

(Feet)	32 ft. LENGTH			44 ft. LENGTH			56 ft. LENGTH		
	0°	15°	30°	0°	15°	30°	0°	15°	30°
30	9,500								
35	8,710	*7,500		7,320					
40	8,000	7,070	*5,800	6,880			5,560		
45	7,340	6,760	5,690	6,490	5,060		5,250		
50	6,740	6,470	5,440	6,140	4,840	*3,770	4,970	3,900	
55	6,190	6,210	5,210	5,820	4,650	3,600	4,710	3,740	
60	5,500	5,970	5,010	5,530	4,460	3,450	4,480	3,600	2,650
65	4,850	5,280	4,820	5,220	4,300	3,320	4,270	3,410	2,540
70	4,270	4,670	4,650	4,640	4,140	3,190	4,070	3,220	2,430
75	3,740	4,110	4,420	4,110	3,940	3,070	3,890	3,050	2,340
80	3,260	3,600	3,880	3,640	3,750	2,970	3,720	2,890	2,250
85	2,810	3,120	3,380	3,200	3,570	2,870	3,530	2,750	2,170
90	2,410	2,690	2,920	2,800	3,190	2,780	3,130	2,620	2,100
95	2,030	2,290	2,490	2,430	2,790	2,700	2,760	2,500	2,030
100	1,690	1,920	2,100	2,080	2,420	2,630	2,420	2,390	1,970
105	1,370	1,580	1,730	1,770	2,070	2,320	2,110	2,290	1,910
110	<u>1,070</u>	<u>1,250</u>	<u>1,380</u>	1,470	1,750	1,970	1,820	2,180	1,860
115				<u>1,200</u>	<u>1,450</u>	<u>1,640</u>	1,540	1,880	1,810
120							<u>1,290</u>	<u>1,600</u>	<u>1,670</u>

*This capacity is based upon maximum boom angle.

A6-829-009539F



35 -110 ft.
(10.6-33.5 m)



32-56 ft.
(9.8-17.1 m)



6,850 lbs.
(3107 kg)



50%



360°



85% Domestic (Pounds)

(Feet)	32 ft. LENGTH			44 ft. LENGTH			56 ft. LENGTH		
	0°	15°	30°	0°	15°	30°	0°	15°	30°
30	9,500								
35	8,710	*7,500		7,320					
40	8,000	7,070	*5,800	6,880			5,560		
45	<u>7,340</u>	6,760	5,690	6,490	5,060		5,250		
50	<u>6,580</u>	<u>6,470</u>	5,440	6,140	4,840	*3,770	4,970	3,900	
55	5,370	<u>5,370</u>	<u>5,210</u>	<u>5,820</u>	4,650	3,600	4,710	3,740	
60	4,360	4,360	<u>4,360</u>	<u>4,820</u>	<u>4,460</u>	3,450	4,480	3,600	2,650
65	3,500	3,500	3,500	3,970	3,970	3,320	<u>4,270</u>	3,410	2,540
70	2,760	2,760	2,760	3,240	3,240	<u>3,190</u>	<u>3,640</u>	<u>3,220</u>	2,430
75	2,130	2,130	2,130	2,610	2,610	2,610	3,010	<u>3,010</u>	2,340
80	1,570	1,570	1,570	2,050	2,050	2,050	2,460	2,460	<u>2,250</u>
85	1,070	1,070	1,070	1,560	1,560	1,560	1,970	1,970	1,970
90				1,120	1,120	1,120	1,530	1,530	1,530
95							1,140	1,140	1,140

*This capacity is based upon maximum boom angle.

A6-829-012327A

35 -110 ft. (10.6-33.5 m) 6,850 lbs. (3107 kg) 360° 17.5R25XHC
445/80R25 VGT
16.00R21 AT-2A
Stationary

75% Domestic (Pounds)

(Feet)	35	40	50	*60
10	31,650	31,650		
12	21,350	21,350		
15	14,300	14,300	14,300	
20	9,220	9,220	9,220	9,220
25	<u>6,760</u>	6,760	6,760	6,760
30		<u>4,260</u>	4,260	4,260
35			2,150	2,150
40			<u>1,060</u>	<u>1,060</u>

35 -110 ft. (10.6-33.5 m) 6,850 lbs. (3107 kg) Defined Arc Over Rear 17.5R25XHC
445/80R25 VGT
16.00R21 AT-2A
Stationary

75% Domestic (Pounds)

(Feet)	35	40	50	*60	70	80	90
10	40,000	40,000					
12	32,150	32,150					
15	24,900	24,900	24,900				
20	18,200	18,200	18,200	18,200	11,700	8,310	
25	<u>14,350</u>	14,350	14,350	14,350	11,700	8,310	
30		<u>11,600</u>	11,600	11,600	11,600	8,310	
35			9,220	9,220	9,220	8,310	
40			<u>7,400</u>	7,400	7,400	7,400	5,180
45				5,970	5,970	5,970	5,180
50				<u>4,810</u>	4,810	4,810	4,810
55					3,650	3,650	3,650
60					<u>2,630</u>	2,630	2,630
65						1,920	1,920
70						<u>1,400</u>	1,400
75							<u>1,000</u>



35 -110 ft.
(10.6-33.5 m)



6,850 lbs.
(3107 kg)



Pick & Carry
Up to 2.5 MPH



Centered
Over Rear



(Feet)



75% Domestic (Pounds)

	35	40	50	*60	70	80	90
10	45,500	45,500					
12	39,400	39,400	39,400				
15	32,450	32,450	32,450				
20	24,550	24,550	24,550	24,550			
25	<u>19,250</u>	19,250	19,250	19,250	17,200	10,050	5,180
30		<u>14,900</u>	14,900	14,900	14,900	10,050	5,180
35			11,450	11,450	11,450	10,050	5,180
40			<u>9,230</u>	9,230	9,230	9,230	5,180
45				7,630	7,630	7,630	5,180
50				<u>5,960</u>	6,440	6,440	5,180
55					5,240	5,520	5,180
60					<u>4,170</u>	4,560	4,560
65						3,580	3,580
70						<u>2,570</u>	2,570
75							<u>1,530</u>

*60 ft. boom length is with inner-mid extended and outer-mid & fly retracted.



35 -110 ft.
(10.6-33.5 m)



6,850 lbs.
(3107 kg)



100%



360°

85% Domestic (Pounds)									
Boom Angle	35	40	50	*60	70	80	90	100	110
0°	<u>15,500</u>	<u>12,250</u>	<u>7,860</u>	<u>4,970</u>	<u>3,670</u>	<u>2,710</u>	<u>1,960</u>	<u>1,360</u>	<u>880</u>



35 -110 ft.
(10.6-33.5 m)



6,850 lbs.
(3107 kg)



Stationary



Defined Arc
Over Rear

75% Domestic (Pounds)							
Boom Angle	35	40	50	*60	70	80	
0°	<u>12,800</u>	<u>10,050</u>	<u>6,500</u>	<u>4,250</u>	<u>2,170</u>	<u>1,100</u>	



35 -110 ft.
(10.6-33.5 m)



6,850 lbs.
(3107 kg)



Stationary



360°

75% Domestic (Pounds)		
Boom Angle	35	40
0°	<u>5,840</u>	<u>2,810</u>



35 -110 ft.
(10.6-33.5 m)



6,850 lbs.
(3107 kg)



Pick & Carry
Up to 2.5 MPH



Centered
Over Rear

75% Domestic (Pounds)						
Boom Angle	35	40	50	*60	70	80
0°	<u>15,500</u>	<u>12,250</u>	<u>7,860</u>	<u>4,970</u>	<u>3,610</u>	<u>1,950</u>

*60 ft. boom length is with inner-mid extended and outer-mid & fly retracted