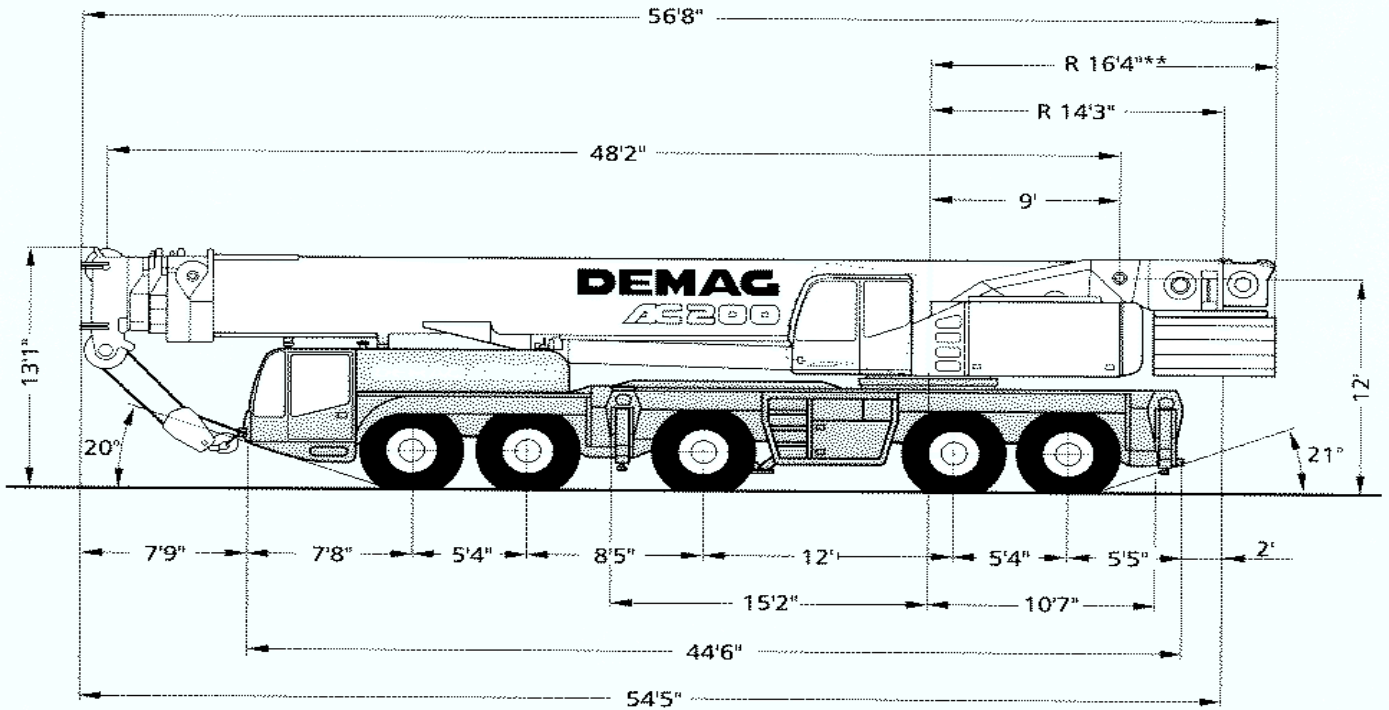
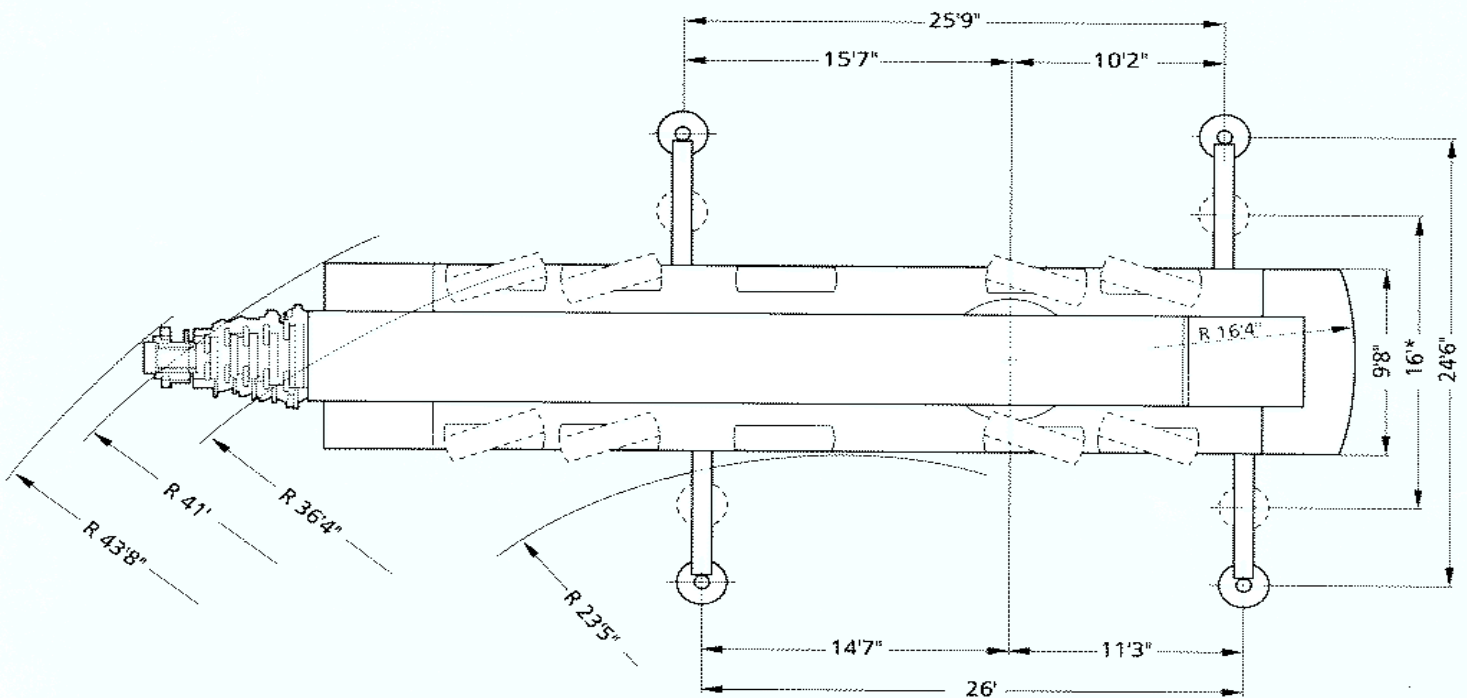


weight in travel order: 132,250 lb

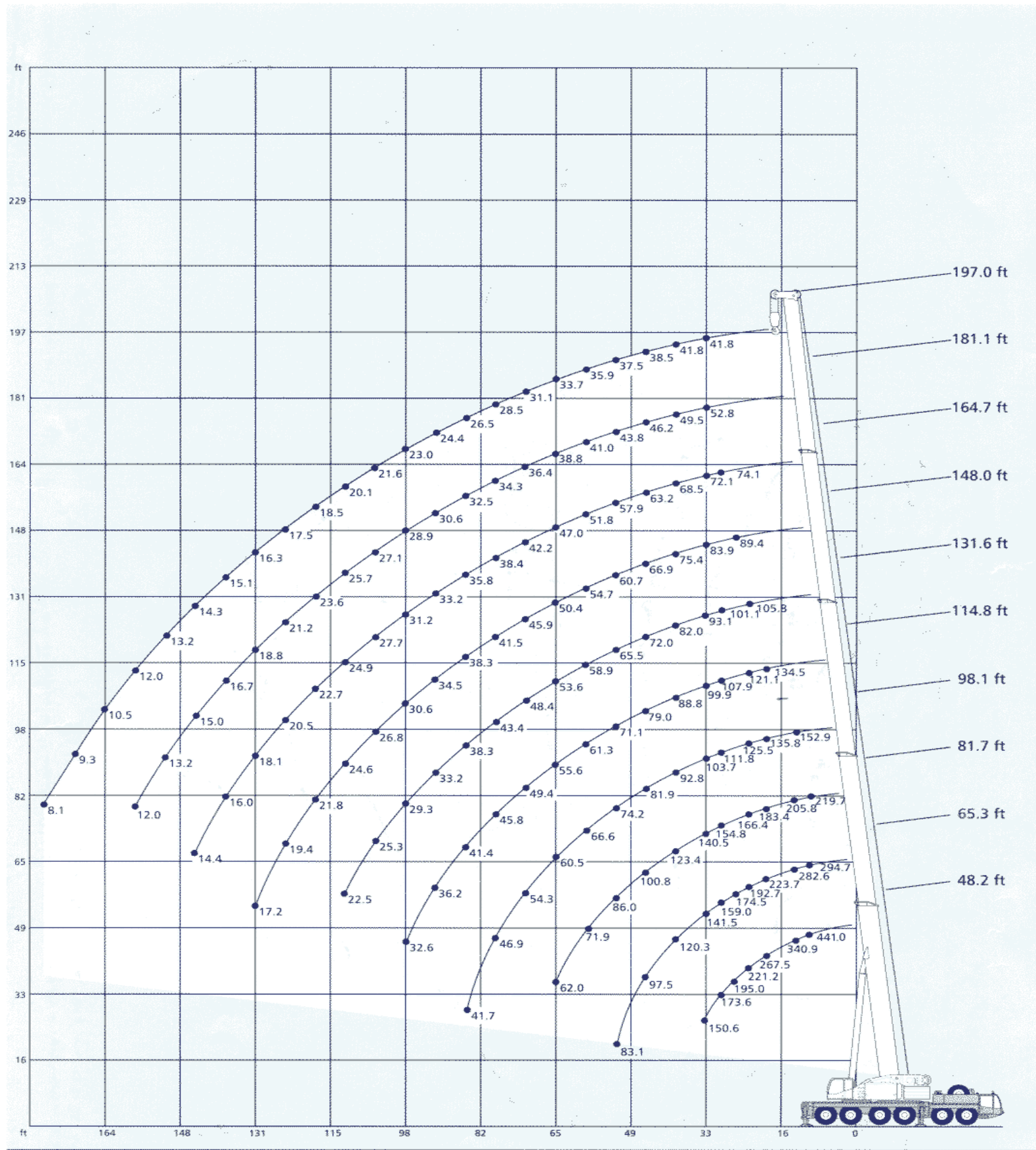


\*\* up to 88,200 lb



\* Duties with reduced outrigger base on request

# Working ranges main boom



# Lifting capacities main boom

**141,000 lb** **360°** **85%**

		Main boom											
Radius	ft	48.2***	48.2	65.3	81.7	98.1	114.8	131.6	148.0	164.7	181.1	197.0	Radius
		1,000 lb											
ft													ft
10		441.0 <sup>3)</sup>	338.3 <sup>**</sup>	294.7 <sup>**</sup>	219.7 <sup>**</sup>	-	-	-	-	-	-	-	10
11		402.0 <sup>3)</sup>	320.9 <sup>**</sup>	290.7 <sup>**</sup>	215.0	-	-	-	-	-	-	-	11
13		340.9 <sup>3)</sup>	289.9 <sup>**</sup>	282.6 <sup>**</sup>	205.8	152.9	-	-	-	-	-	-	13
15		312.4 <sup>3)</sup>	264.5 <sup>**</sup>	263.8 <sup>**</sup>	196.7	147.0	-	-	-	-	-	-	15
16		300.3 <sup>3)</sup>	253.2 <sup>**</sup>	252.5 <sup>**</sup>	192.2	144.0	-	-	-	-	-	-	16
19		267.5	224.4	223.7	183.4	135.8	134.5	-	-	-	-	-	19
23		221.2	193.3	192.7	166.4	125.5	121.1	105.8	-	-	-	-	23
26		195.0	175.0	174.5	165.6	118.5	114.1	105.8	89.4	-	-	-	26
29		173.6	159.6	159.0	154.8	111.8	107.9	101.1	87.4	74.1	-	-	29
33		150.6	142.0	141.5	140.5	103.7	99.9	93.1	83.9	72.1	52.8	41.8	33
39		-	-	120.3	123.4	92.8	88.8	82.0	75.4	68.5	49.5	41.8	39
46		-	-	97.5	100.8	81.9	79.0	72.0	66.9	63.2	46.2	38.5	46
52		-	-	83.1	86.0	74.2	71.1	65.5	60.7	57.9	43.8	37.5	52
59		-	-	-	71.9	66.6	61.3	58.9	54.7	51.8	41.0	35.9	59
65		-	-	-	62.0	60.5	55.6	53.6	50.4	47.0	38.8	33.7	65
72		-	-	-	-	54.3	49.4	48.4	45.9	42.2	36.4	31.1	72
79		-	-	-	-	46.9	45.8	43.4	41.5	38.4	34.3	28.5	79
85		-	-	-	-	41.7	41.4	38.3	38.3	35.8	32.5	26.5	85
92		-	-	-	-	-	36.2	33.2	34.5	33.2	30.6	24.4	92
98		-	-	-	-	-	32.6	29.3	30.6	31.2	28.9	23.0	98
105		-	-	-	-	-	-	25.3	26.8	27.7	27.1	21.6	105
111		-	-	-	-	-	-	22.5	24.6	24.9	25.7	20.1	111
118		-	-	-	-	-	-	-	21.8	22.7	23.6	18.5	118
124		-	-	-	-	-	-	-	19.4	20.5	21.2	17.5	124
131		-	-	-	-	-	-	-	17.2	18.1	18.8	16.3	131
138		-	-	-	-	-	-	-	-	16.0	16.7	15.1	138
144		-	-	-	-	-	-	-	-	14.4	15.0	14.3	144
151		-	-	-	-	-	-	-	-	-	13.2	13.2	151
157		-	-	-	-	-	-	-	-	-	12.0	12.0	157
164		-	-	-	-	-	-	-	-	-	-	10.5	164
170		-	-	-	-	-	-	-	-	-	-	9.3	170
177		-	-	-	-	-	-	-	-	-	-	8.1	177

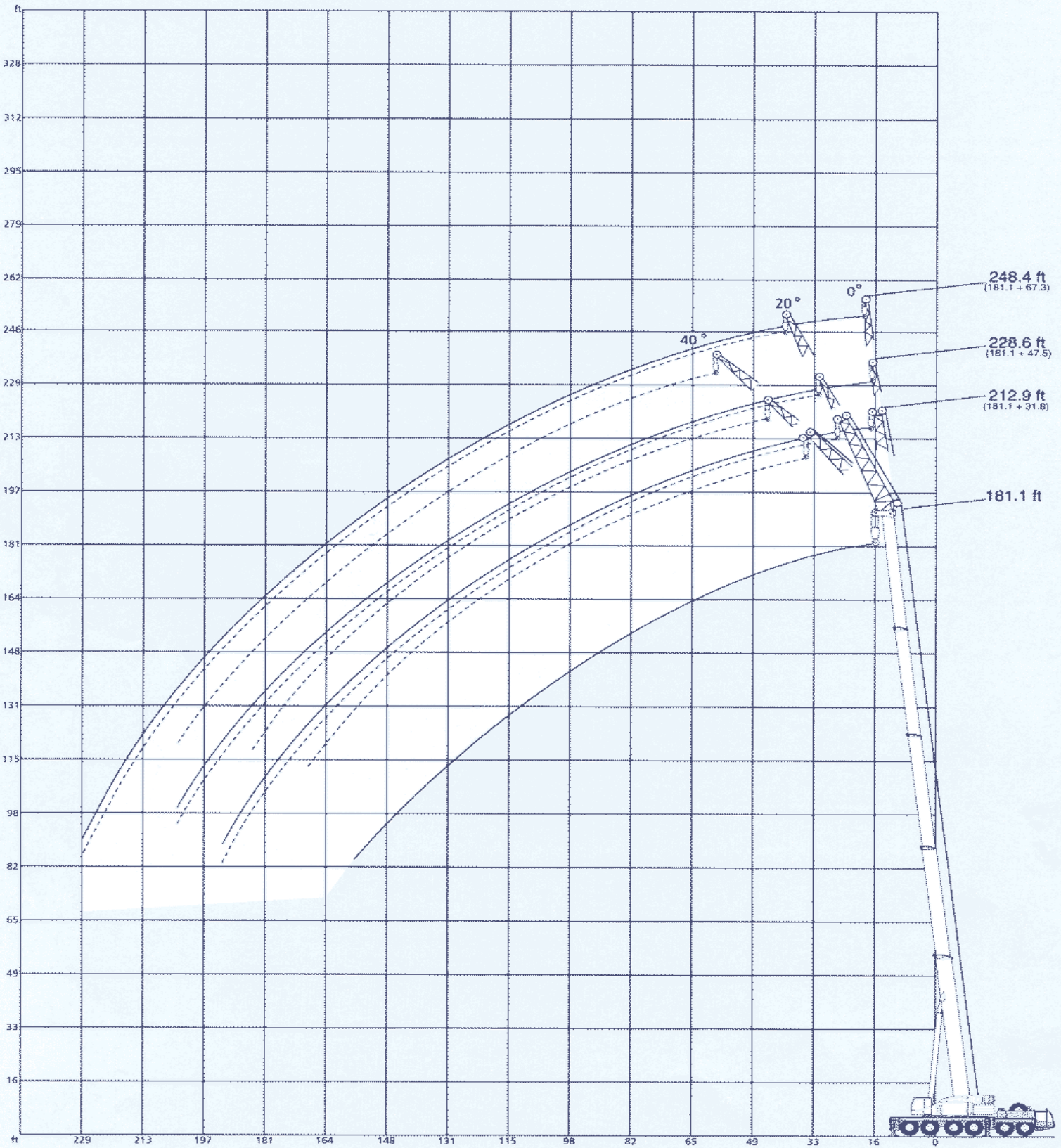
**88,200 lb** **360°** **85%**

		Main boom											
Radius	ft	48.2	65.3	81.7	98.1	114.8	131.6	148.0	164.7	181.1	197.0	Radius	
		1,000 lb											
ft												ft	
10		328.2 <sup>**</sup>	294.7 <sup>**</sup>	219.7 <sup>**</sup>	-	-	-	-	-	-	-	-	10
11		311.3 <sup>**</sup>	290.7 <sup>**</sup>	215.0	-	-	-	-	-	-	-	-	11
13		281.3 <sup>**</sup>	279.6 <sup>**</sup>	205.8	152.9	-	-	-	-	-	-	-	13
15		256.4 <sup>**</sup>	255.8 <sup>**</sup>	196.7	147.0	-	-	-	-	-	-	-	15
16		245.5	244.9	192.2	144.0	-	-	-	-	-	-	-	16
19		217.4	216.9	183.4	135.8	134.5	-	-	-	-	-	-	19
23		187.3	186.7	166.4	125.5	121.1	105.8	-	-	-	-	-	23
26		166.4	165.5	165.6	118.5	114.1	105.8	89.4	-	-	-	-	26
29		146.0	145.3	148.3	111.8	107.9	101.1	87.4	74.1	-	-	-	29
33		123.9	123.1	126.7	103.7	99.9	93.1	83.9	72.1	52.8	41.8	33	33
39		-	94.6	97.0	92.8	88.8	82.0	75.4	68.5	49.5	41.8	39	39
46		-	74.5	72.5	75.2	68.2	71.7	66.9	63.2	46.2	38.5	46	46
52		-	60.6	62.0	61.1	60.8	57.8	58.7	57.9	43.8	37.5	52	52
59		-	-	50.8	49.0	49.2	45.9	47.4	48.7	41.0	35.9	59	59
65		-	-	43.1	41.5	43.8	38.7	39.8	41.1	38.8	33.7	65	65
72		-	-	-	38.2	37.0	35.1	33.8	34.8	35.5	31.1	72	72
79		-	-	-	33.1	31.3	31.4	28.8	29.3	30.2	28.5	79	79
85		-	-	-	29.2	28.0	29.2	26.9	25.3	26.0	26.1	85	85
92		-	-	-	-	25.9	25.2	24.1	21.1	21.9	21.9	92	92
98		-	-	-	-	23.5	22.4	21.1	19.4	18.9	19.1	98	98
105		-	-	-	-	-	19.3	18.2	16.9	16.7*	16.0	105	105
111		-	-	-	-	-	17.3	16.0	14.7	15.3*	13.8	111	111
118		-	-	-	-	-	-	13.7	12.6	13.2*	11.7	118	118
124		-	-	-	-	-	-	12.0	10.7	11.4*	9.9	124	124
131		-	-	-	-	-	-	10.4	9.0	9.7*	8.2	131	131
138		-	-	-	-	-	-	-	7.4	8.1*	6.5	138	138
144		-	-	-	-	-	-	-	6.4	6.9*	5.5	144	144
151		-	-	-	-	-	-	-	-	4.1	4.1	151	151
157		-	-	-	-	-	-	-	-	3.3	3.1	157	157
164		-	-	-	-	-	-	-	-	-	2.2	164	164

Remarks (see page 13)

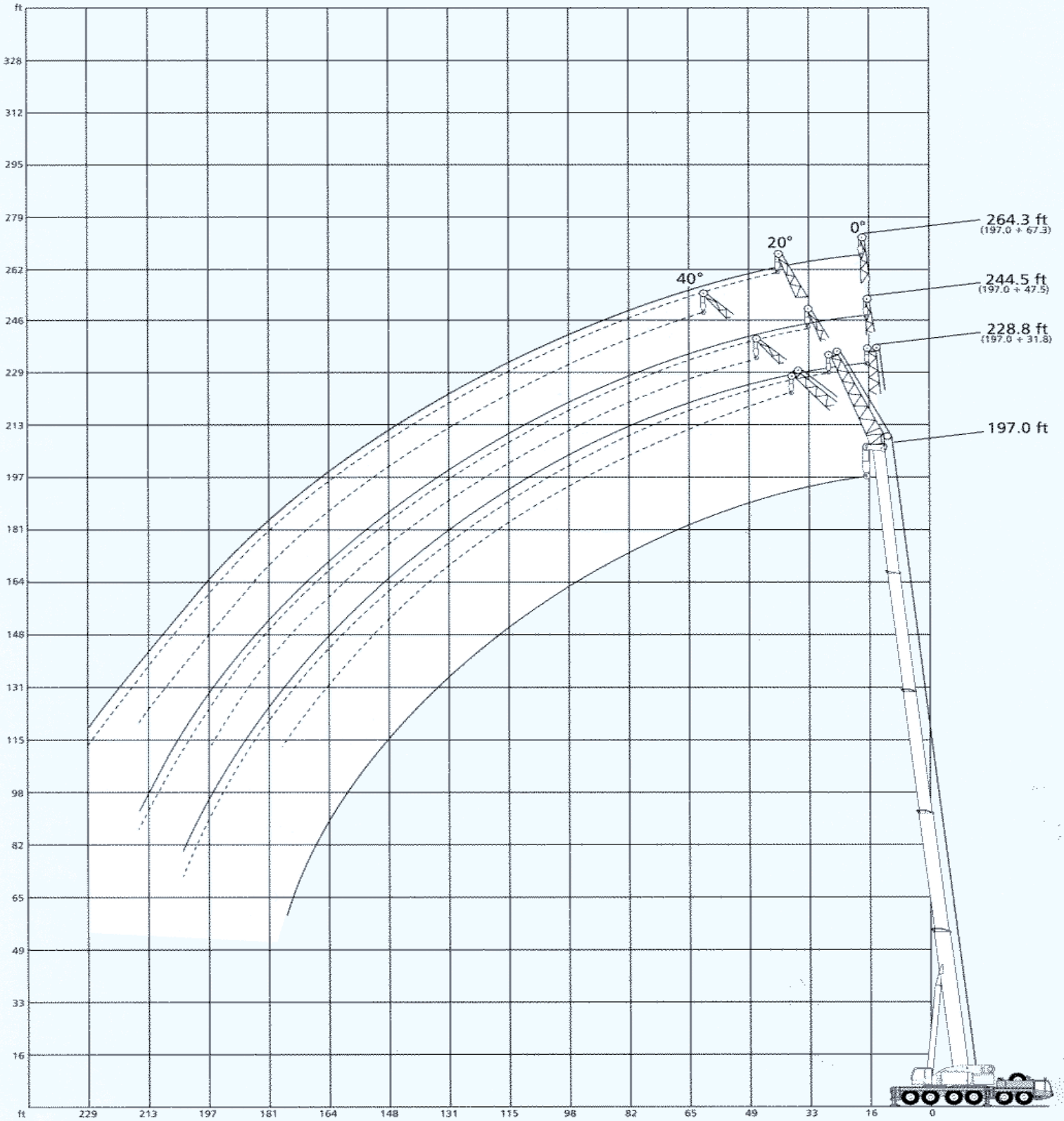


# Working ranges main boom extension, main boom 181.1 ft





# Working ranges main boom extension, main boom 197.0 ft





# Lifting capacities main boom extension

141,000 lb



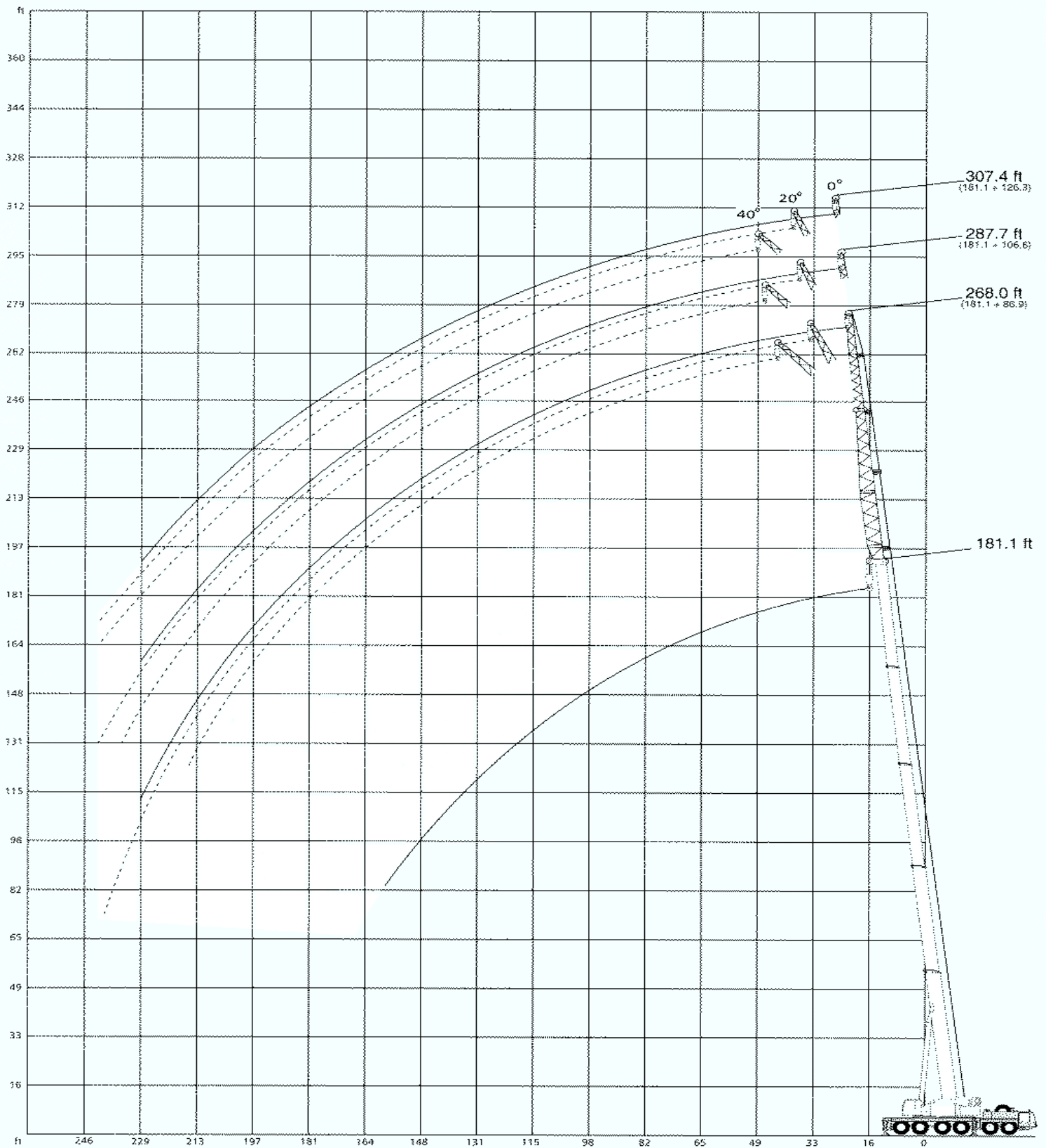
360°

85%

197.0 ft Main boom

Radius ft	31.8 ft			Extension 47.5 ft			67.3 ft			Radius ft
	0°	20°	40°	0°	20°	40°	0°	20°	40°	
36	24.2	-	-	-	-	-	-	-	-	36
39	24.2	-	-	-	-	-	15.0	-	-	39
46	24.2	24.2	-	-	-	-	14.5	-	-	46
52	24.2	24.2	21.8	-	-	-	14.1	-	-	52
59	23.3	23.1	21.3	-	18.9	-	13.8	-	-	59
65	22.5	22.1	20.5	-	18.1	16.5	13.4	12.8	-	65
72	21.4	20.9	19.6	-	17.2	16.1	13.0	12.5	-	72
75	21.0	20.3	19.2	18.1	16.8	15.7	13.0	12.3	-	75
79	20.4	19.8	18.7	17.8	16.2	15.4	12.7	12.1	11.2	79
85	19.4	19.0	18.1	17.2	15.6	14.8	12.5	11.7	11.2	85
92	18.4	18.0	17.4	16.7	15.1	14.3	12.1	11.2	10.7	92
98	17.4	17.2	16.7	16.1	14.5	13.9	11.9	10.8	10.3	98
111	15.7	15.7	15.4	14.8	13.7	13.0	11.4	10.1	9.7	111
124	13.7	14.1	14.1	13.5	12.8	12.1	10.8	9.7	9.0	124
138	11.8	12.5	12.7	12.1	11.8	11.2	10.1	9.0	8.3	138
151	10.3	11.0	11.0	10.7	10.7	10.3	9.4	8.3	7.4	151
164	8.8	9.4	9.4	9.4	9.4	9.2	8.6	7.4	6.8	164
177	7.5	7.9	8.1	7.9	8.1	8.1	7.5	6.4	5.9	177
180	7.1	7.5	7.7	7.5	7.9	7.9	7.3	6.0	5.7	180
190	5.5	5.9	-	5.9	6.8	7.0	6.6	5.3	5.3	190
197	4.8	5.0	-	5.2	5.9	6.3	5.7	4.6	4.8	197
203	4.0	4.2	-	4.4	5.1	-	5.1	4.2	4.6	203
216	-	-	-	3.1	3.5	-	3.5	3.5	4.6	216
229	-	-	-	-	-	-	2.2	2.8	-	229
233	-	-	-	-	-	-	-	-	-	233

# Working ranges main boom extension, main boom 181.1 ft





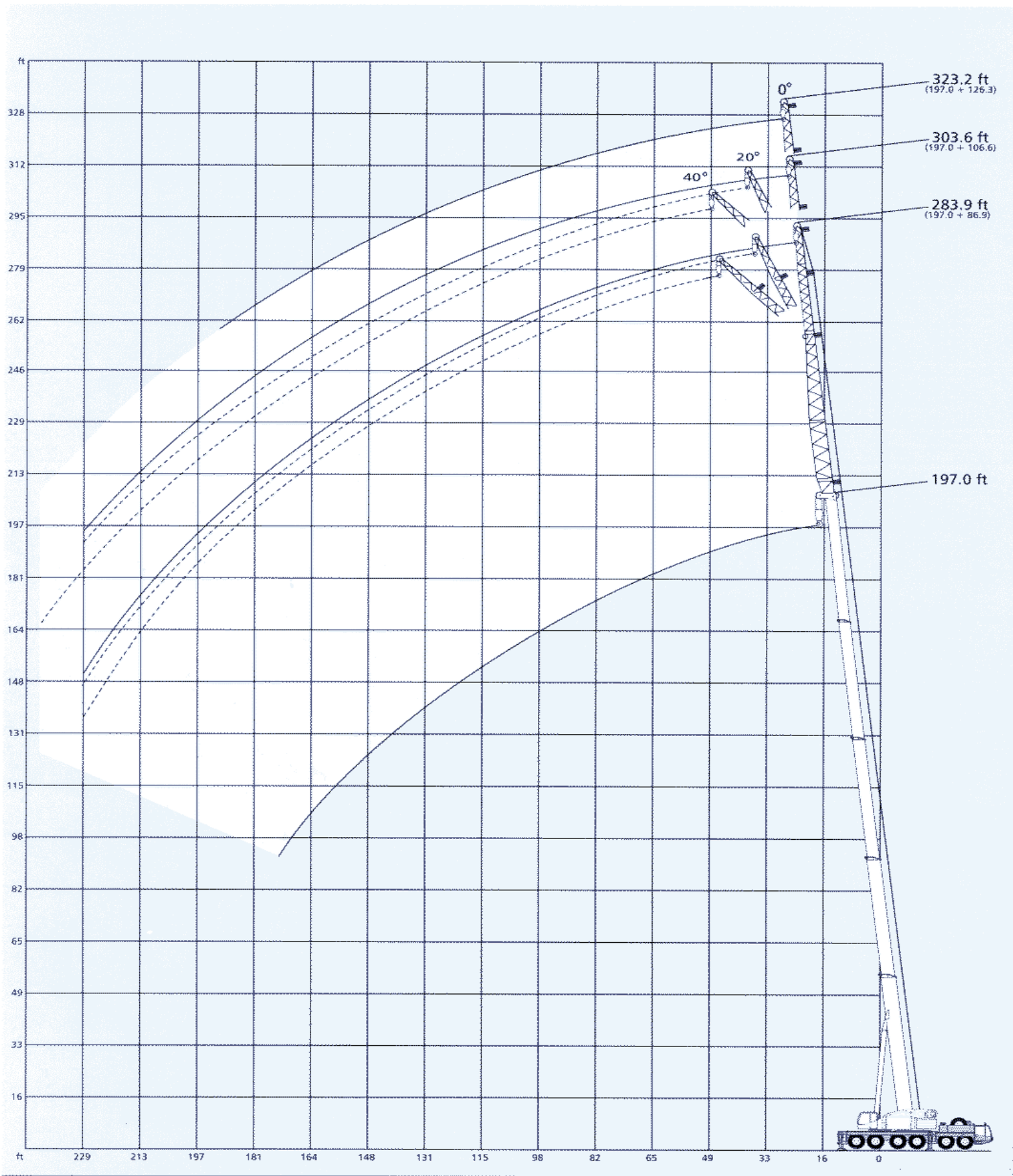
# Lifting capacities main boom extension

**141,000 lb**  **360°** **85%**

181.1 ft Main boom

Radius ft	86.9 ft			Extension 106.6 ft			126.3 ft			Radius ft
	0°	20°	40°	0°	20°	40°	0°	20°	40°	
	1,000 lb									
39	13.2	-	-	-	-	-	-	-	-	39
46	13.0	-	-	9.4	-	-	7.2	-	-	46
52	12.8	11.0	-	9.2	-	-	7.0	-	-	52
59	12.5	10.8	8.5	9.0	8.5	-	6.8	6.3	-	59
65	12.1	10.4	8.5	9.0	8.5	-	6.4	6.3	-	65
69	11.9	10.1	8.3	8.8	8.3	7.4	6.3	6.1	-	69
72	11.9	10.1	8.3	8.8	8.3	7.2	6.1	6.1	5.7	72
79	11.4	9.6	8.3	8.5	8.1	7.2	5.9	5.9	5.5	79
85	11.0	9.4	8.1	8.3	8.1	7.0	5.7	5.7	5.3	85
92	10.7	9.2	7.9	8.1	7.9	6.8	5.5	5.5	5.0	92
98	10.3	9.0	7.9	7.9	7.7	6.6	5.3	5.3	4.8	98
111	9.7	8.6	7.7	7.7	7.2	6.4	5.0	5.0	4.4	111
124	8.8	8.1	7.5	7.2	6.8	5.9	4.6	4.6	4.2	124
138	8.3	7.9	7.2	7.0	6.3	5.7	4.4	4.4	3.9	138
151	7.7	7.4	7.0	6.6	5.9	5.5	4.1	3.9	3.7	151
164	7.4	7.2	7.0	6.3	5.5	5.2	3.9	3.7	3.5	164
177	7.2	7.0	6.8	5.9	5.2	5.0	3.9	3.5	3.3	177
190	7.0	6.8	6.8	5.7	4.8	4.8	3.7	3.3	3.3	190
203	5.9	6.6	6.8	5.5	4.6	4.6	3.5	3.0	3.0	203
216	4.4	4.9	5.1	4.6	4.4	4.6	3.5	3.0	3.0	216
229	3.3	3.5	-	3.3	3.7	4.0	3.3	2.8	2.8	229
233	-	3.3	-	-	3.3	3.5	-	2.8	2.8	233
243	-	2.1	-	-	2.4	-	-	2.6	2.6	243

# Working ranges main boom extension, main boom 197.0 ft



# Lifting capacities main boom extension

141,000 lb  360° 85%

197.0 ft Main boom

Radius ft	86.9 ft			Extension 106.6 ft			126.3 ft			Radius ft
	0°	20°	40°	0°	20°	40°	0°	20°	40°	
	1,000 lb									
39	9.9	-	-	-	-	-	-	-	-	39
46	9.9	-	-	7.7	-	-	-	-	-	46
52	9.9	-	-	7.7	-	-	5.0	-	-	52
59	9.9	9.7	-	7.4	-	-	4.8	-	-	59
65	9.9	9.3	8.1	7.2	7.9	-	4.6	-	-	65
72	9.9	9.0	7.9	7.2	7.5	6.8	4.4	-	-	72
75	9.9	8.8	7.9	7.0	7.4	6.6	4.2	-	-	75
79	9.9	8.5	7.7	7.0	7.2	6.5	4.1	-	-	79
85	9.7	8.3	7.7	6.8	7.0	6.1	3.9	-	-	85
92	9.4	8.1	7.4	6.6	6.8	5.9	3.7	-	-	92
98	9.4	7.9	7.4	6.4	6.6	5.7	3.5	-	-	98
111	9.0	7.7	7.2	6.1	6.1	5.5	3.3	-	-	111
124	8.4	7.5	7.2	5.7	5.7	5.0	3.0	-	-	124
138	7.9	7.2	7.0	5.2	5.5	4.8	2.8	-	-	138
151	7.4	6.8	7.0	5.0	5.0	4.6	2.8	-	-	151
164	6.8	6.3	6.8	4.6	4.6	4.1	2.6	-	-	164
177	6.1	5.9	6.3	4.4	4.4	3.9	2.4	-	-	177
190	5.7	5.3	5.9	4.4	4.1	3.7	2.2	-	-	190
203	5.0	4.6	5.3	4.1	3.7	3.5	-	-	-	203
216	4.2	3.9	4.4	3.9	3.5	3.3	-	-	-	216
229	2.9	3.3	3.3	2.9	3.1	2.8	-	-	-	229
243	-	-	-	-	-	2.1	-	-	-	243
256	-	-	-	-	-	-	-	-	-	256

